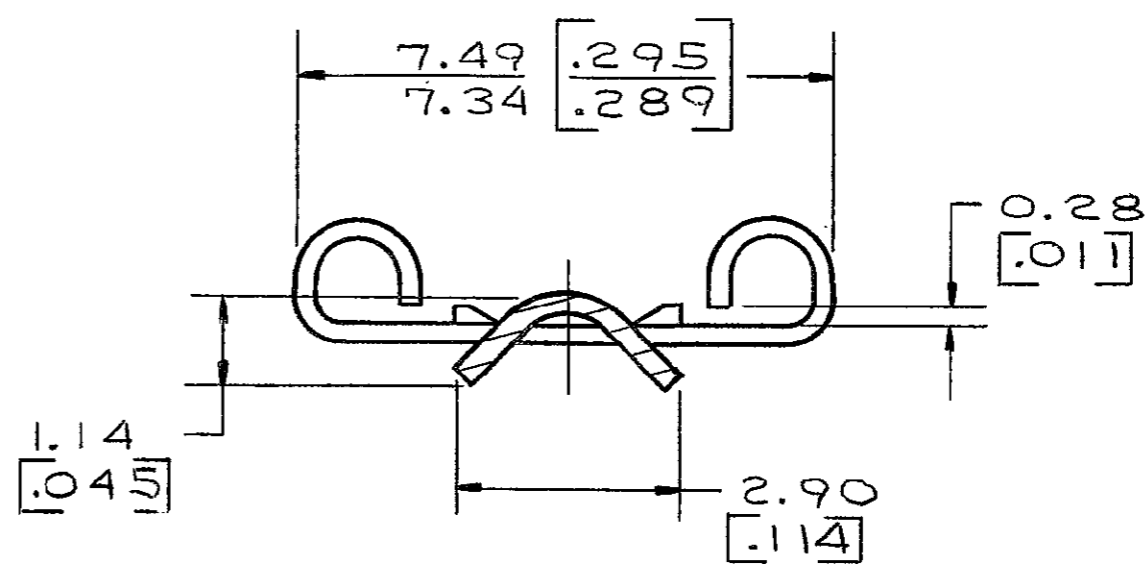
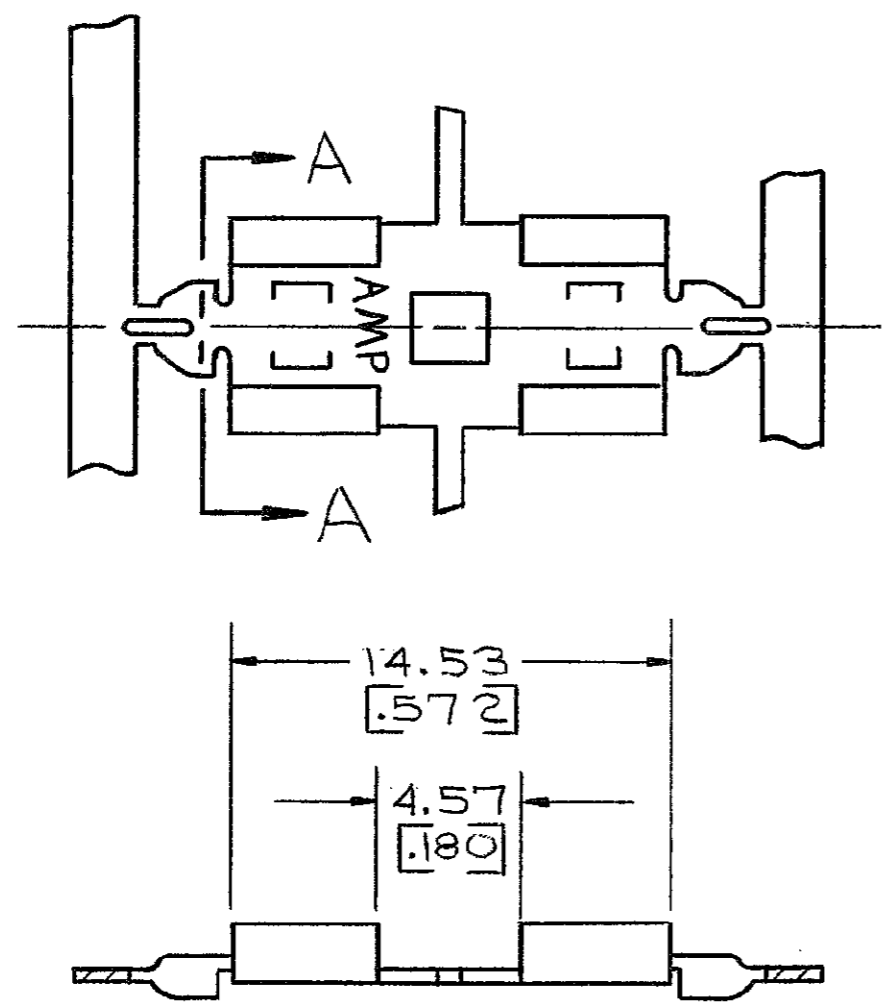


© COPYRIGHT 1978 BY AMP INCORPORATED, HARRISBURG, PA.  
ALL INTERNATIONAL RIGHTS RESERVED. AMP INCORPORATED PRODUCTS  
COVERED BY U. S. AND FOREIGN PATENTS AND/OR PATENTS PENDING.

| REVISIONS |   |      |     |  |          |          |
|-----------|---|------|-----|--|----------|----------|
| P         | F | ZONE | LTR | DESCRIPTION                              | DATE     | APPROVED |
|           |   |      | A   | RELEASED P.A.R.                          | 4/5/78   | GY/D.S.  |
|           |   |      | B   | REVISED PER A-6051                       | 6/21/83  | SS/DS    |
|           |   |      | C   | OBSOLETE -2 AF-1698                      | 3/19/86  | SS/GY    |
|           |   |      | D   | ADDED LOOSE PIECE NUMBER<br>OG3A-0338-00 | 18MAY 00 | MF/GDP   |



SECTION A-A  
SCALE 10-1

1. DIMENSIONS IN BRACKETS ARE IN INCHES.
2. CONTINUOUS STRIP ON REELS.
3. TO BE MOUNTED IN 2.54±0.05 [.100±.002] DIA HOLE.

**METRIC**

|   |  |                               |  |  |  |
|---|--|-------------------------------|--|--|--|
| UNLESS OTHERWISE SPECIFIED DIMENSIONS ARE IN INCHES. TOLERANCES ON DECIMALS ±0.38 [.015] ANGLES ± |  | CONTRACT NO                   |  | AMP INCORPORATED<br>Harrisburg, Pa.            |  |
| MATERIAL<br>0.25 [.010]<br>BRASS  |  | DR<br>W.S.DAVIS 2-23-78       |  | NAME<br>P.C.B. RECEPTACLE<br>(.250x.016 SPADE) |  |
| FINISH<br>SEE TABLE   |  | CHK<br>G YETTER 2-23-78       |  | DRAWING NO<br>62751                            |  |
|   |  | APPD<br>2/23/78               |  | CODE IDENT NO<br>00779                         |  |
|   |  | DSGN APPD                     |  | SCALE  |  |
|   |  | OTHER APPD                    |  | SHEET  |  |
|   |  | LOOSE PIECE NUMBER<br>62806-1 |  | FINISH<br>TIN OVER Cu                          |  |
|   |  |                               |  | PART NO<br>62751-1                             |  |